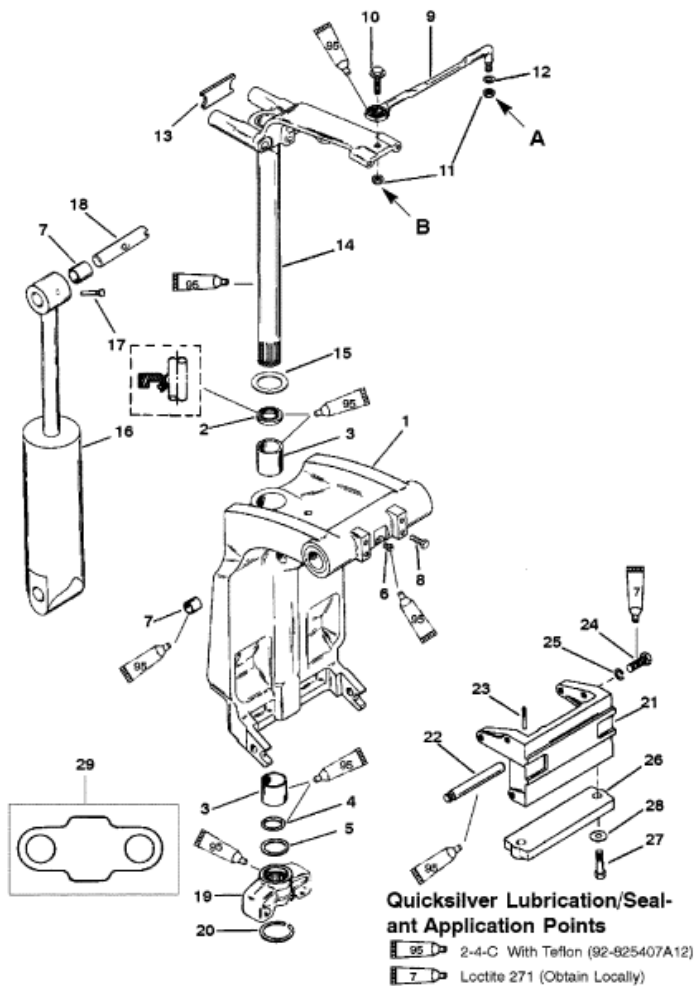


Parts List



**A** - TORQUE NUT TO 120 LB. IN. (13.5 N·M); THEN BACK OFF 1/4 TURN.  
**B** - TORQUE NUT TO 20 LB. FT. (27.1 N·M).

Ref	Class	Part	Description	Qty	Comment	Footnote
1	1499	8710A20	SWIVEL BRACKET	1	(BLACK) NON-POWER TRIM	
1	1499	8710A21	SWIVEL BRACKET	1	(GRAY) NON-POWER TRIM	
1	3408	818904A 1	SWIVEL BRACKET	1	(BLACK) MANUAL TILT ASSIST/F	
1	3408	818904A 2	SWIVEL BRACKET	1	(GRAY) MANUAL TILT ASSIST/F	
1	3408	818904A 3	SWIVEL BRACKET	1	(TRACKER-GRAPHITE GRAY) M	
2	26	87735	OIL SEAL (LOWER)	1		
3	23	818764	BUSHING	2		
4	25	33504	O-RING	1		
5	23	816039	SPACER	1		
6	22	74036	GREASE FITTING	2		
7	23	821207	BUSHING	2		
8	10	64014	SCREW (1/4-28 X 1/2)	2		
9		92876A 1	STEERING LINK ASSEMBLY	1		
10	10	14000	SCREW (3/8 X 24 X 1-1/8)	1		
11	11	34863	NUT	2		
12	12	34931	WASHER	2		
13		88882 1	BUMPER-TOP YOKE	1	(X-LONG/LL)	
14		99661A26	SWIVEL PIN/STEERING ARM	1	(BLACK)	
14		99661A27	SWIVEL PIN/STEERING ARM	1	(GRAY)	
14		99661A28	SWIVEL PIN/STEERING ARM	1	(TRACKER-GRAPHITE GRAY)	
15	12	816432	THRUST WASHER	1		
16	55	99724A 2	SHOCK	1	(BLACK) NO STAMPING	
16	55	99724A 3	SHOCK	1	(GRAY) NO STAMPING	
16	55	99724A15	SHOCK	1	(BLACK) STAMPED A12 OR A17	
16	55	99724A16	SHOCK	1	(GRAY) STAMPED A12 OR A17	
17	17	821539	GROOVE PIN	1		
18		99625 1	SHAFT (UPPER)	1		
19		42961A 1	BOTTOM YOKE	1	(BLACK)	
19		42961A 2	BOTTOM YOKE	1	(GRAY)	
19		42961A 4	BOTTOM YOKE	1	(TRACKER-GRAPHITE GRAY)	
20	53	67684	RETAINING RING	1		
21		99653	BRACKET	1	NON POWER TRIM	
22		99619	SHAFT (LOWER)	1	NON POWER TRIM	
23	17	821539	GROOVE PIN	1	NON POWER TRIM	
24	10	40003 77	SCREW (M10 X 1.5 X 30)	6	NON POWER TRIM	
25	12	40023 19	WASHER	6	NON POWER TRIM	
25	13	40025 6	LOCKWASHER	6	(JET) NON POWER TRIM	
26		818298A 1	ANODE ASSEMBLY	1		
27	10	40003 30	SCREW (M6 X 1 X 25)	2		
28	12	29245	WASHER	2		
29		11388	BUMPER BOTTOM YOKE	1	(X-LONG/LL)	